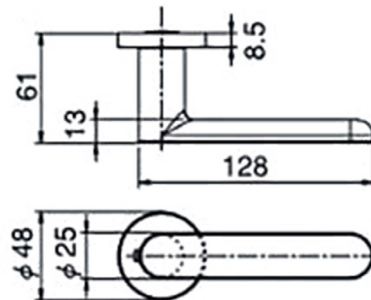
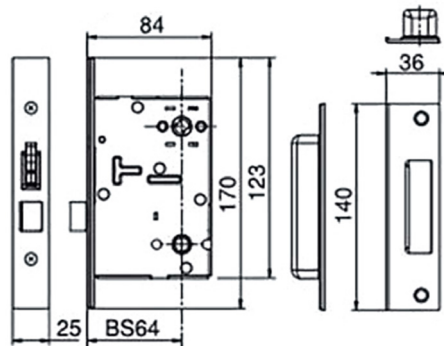
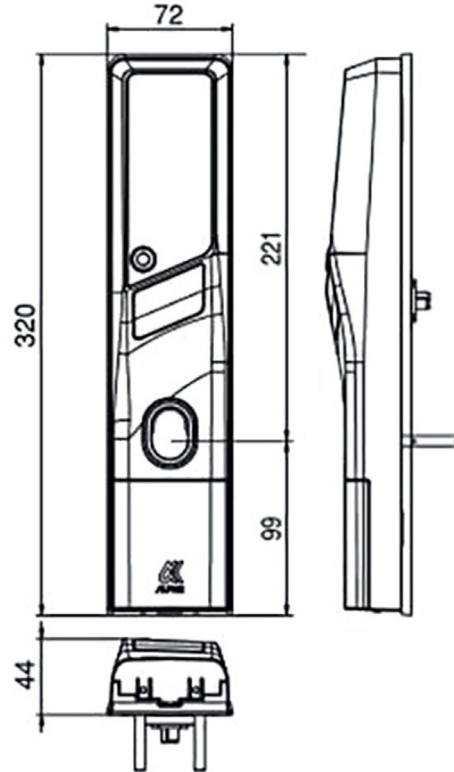




Electronic Entrance & Furniture Lock

RDL-A-WS200

From Japan
Aluminum Body



Technical Data:

- Size : 72×320 mm
- Door thickness : 50-60 mm
- Backset : 64 mm
- Spacing : 80 mm

Features:

- Application : Commercial Door & Residential Door
- Material : Aluminum body and handle, Stainless
- Steel deadbolt and brass latch
- Handing : Right / Left
- Color : Silver



User Cards



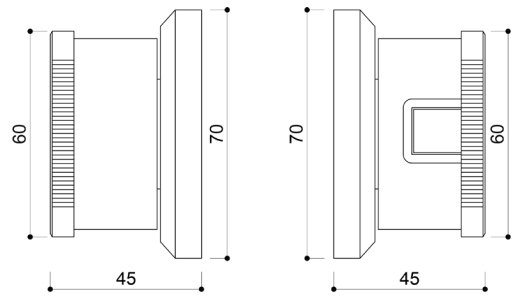
Registration Cards



Mechanical Keys

RDL-ML8011

Smart Cube Lock



Technical Data:

- Size : 70x70x45 mm
- Door thickness : 35-55 mm
- Lock body : 60 - 70 mm Single touge

Features:

- Application : Wooden door, Metal door
- Material : Zinc alloy Body
- Unlock Method : Fingerprint, Password, Card, App, Tuya (Wi-Fi), Key
- Password : 100pcs
- Fingerprint : 50pcs
- Recognition speed : 0.3s
- Color : Black, Sliver
- Power Supply : 4 x AAA



TuyaApp



Bluetooth



Wi-Fi



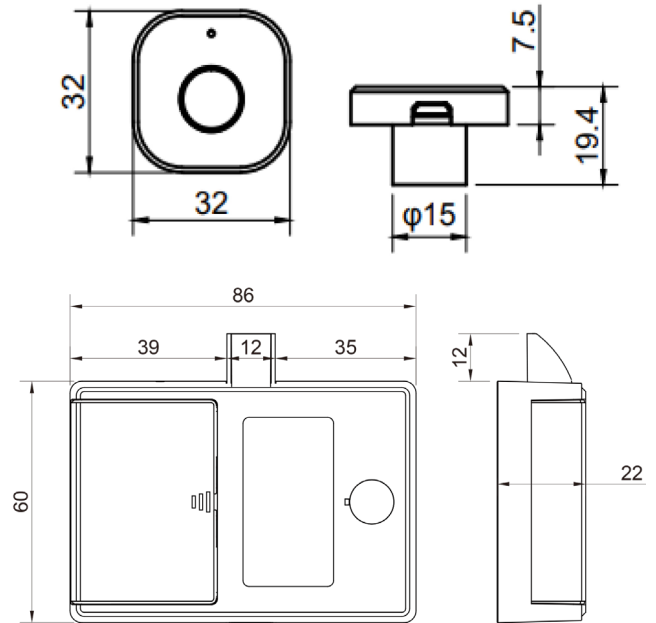
Fingerprint



User Cards

RDL-F040

Smart Furniture Lock



Feature and Data:

- Size : 32 x 32 x 19.4 mm
- fingerprint capacity : 10
- Panel Material : ABS
- Unlocking Way: Fingerprint, E-key
- Power Supply Method : 3*AAA alkaline batteries
- Supply Voltage : 4.5V
- Static Current : $\leq 30\mu\text{A}$
- Battery Life : More than 1 year (used 10 times a day)

Finishing:

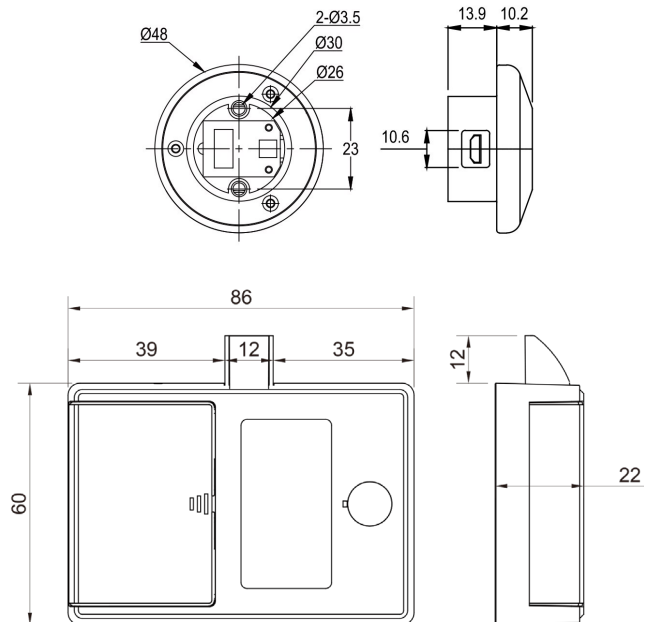
- Color: Black, White, Silver, Gold



Fingerprint

RDL-F045S

Smart Furniture Lock



Feature and Data:

- Size : Ø48 x 24.1 mm
- fingerprint capacity : 10
- Panel Material: Zinc alloy
- Unlocking Way: Fingerprint, E-key
- Power Supply Method : 3*AAA alkaline batteries
- Supply Voltage : 4.5V
- Static Current : ≤ 30uA
- Battery Life : More than 1 year (used 10 times a day)

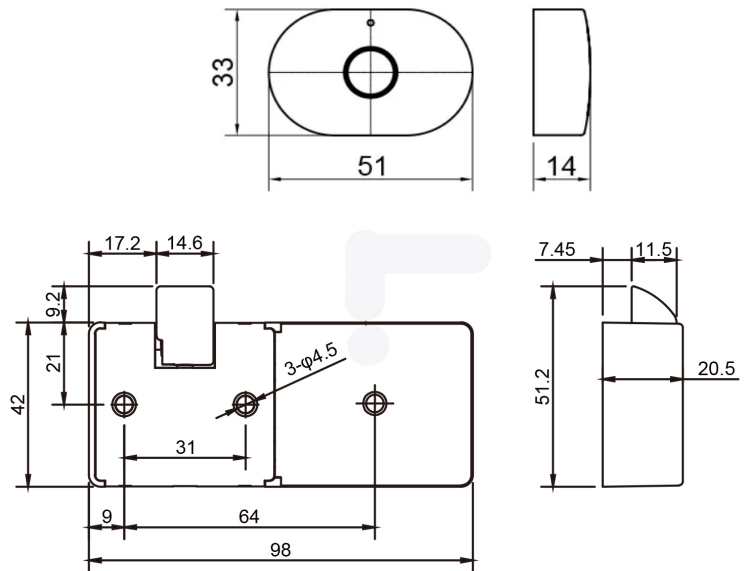
Finishing:

- Color: Black, White



RDL-F113

Smart Furniture Lock

**Feature and Data:**

- Size : 33 x 51 x 14 mm
- fingerprint capacity : 20
- Panel Material : Zinc alloy
- Unlocking Way: Fingerprint, E-key
- Power Supply Method : 3*AAA alkaline batteries
- Supply Voltage : 4.5V
- Static Current : $\leq 30\mu\text{A}$
- Battery Life : More than 1 year (used 10 times a day)

Finishing:

- Color: Gold, Silver, Black, Gray, Black Rush, Brushed



TuyaApp



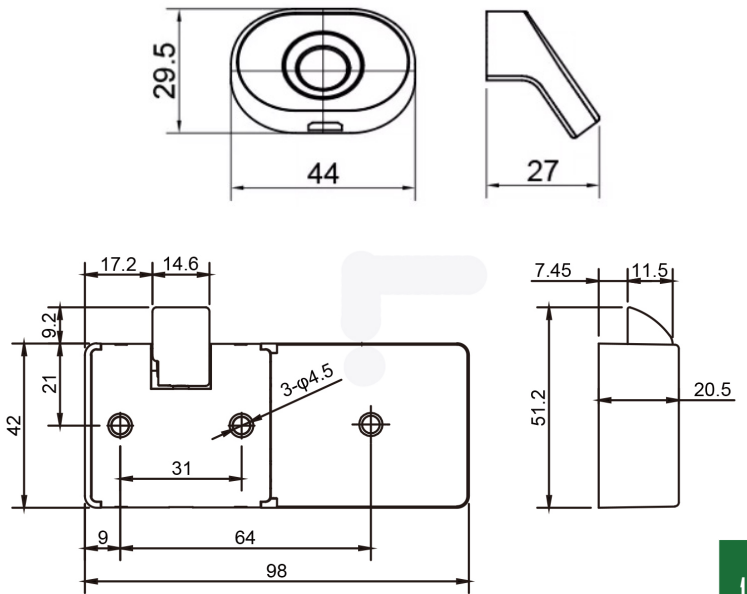
Bluetooth



Fingerprint

RDL-F115

Smart Furniture Lock



151

Feature and Data:

- Size : 29.5 x 44 x 27 mm
- fingerprint capacity : 20
- Panel Material: Zinc alloy
- Unlocking Way: Fingerprint, E-key
- Power Supply Method : 3*AAA alkaline batteries
- Supply Voltage : 4.5V
- Static Current : ≤ 30uA
- Battery Life : More than 1 year (used 10 times a day)

Finishing:

- Color: Black, White



TuyaApp



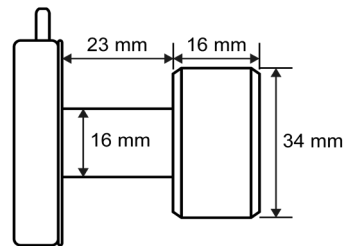
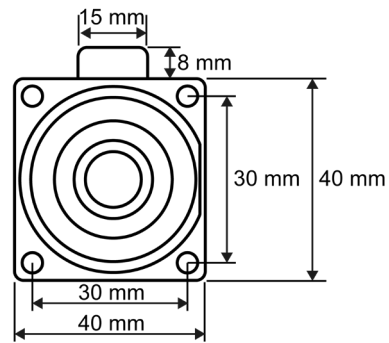
Bluetooth



Fingerprint

RDL-ML8001

Fingerprint Drawer Lock



152

Feature and Data:

- Size : 29.5 x 44 x 27 mm
- fingerprint capacity : 20
- Panel Material: Zinc alloy
- Unlocking Way: Fingerprint, E-key
- Supply Voltage : 5V
- Static Current : ≤ 30uA

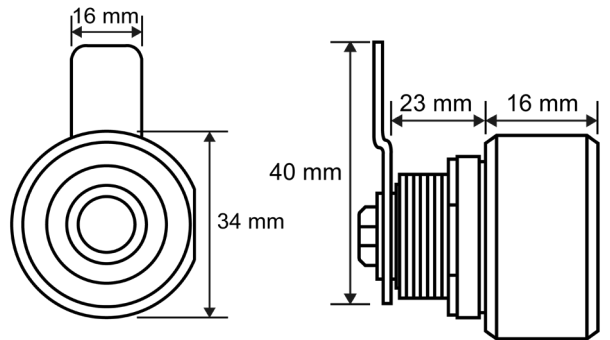
Finishing:

- Color: Silver



RDL-ML8002

Fingerprint Cam Lock



Feature and Data:

- Size : 33 x 51 x 14 mm
- fingerprint capacity : 20
- Panel Material : Zinc alloy
- Unlocking Way: Fingerprint, E-key
- Supply Voltage : 5V
- Static Current : ≤ 30uA

Finishing:

- Color: Silver



RDL-CL1112

3 Dial Resetable Cam Lock



154

Feature and Data:

- Size : 19mm(3/4"), cam:38mmx15mm
- Weight : 158g
- Material : Zinc alloy
- Poly bag

Finishing:

- Color: Silver Plated



RDL-CL1118

4 Dial Combinatin Slide Bolt



Feature and Data:

- Size : 112x50x25mm
- Weight : 292g
- Material : Zinc alloy
- Resetable Type : Yes



Finishing:

- Color: Sliver Plated

