



Panic Bolt

RPB-302 / RPB-302-

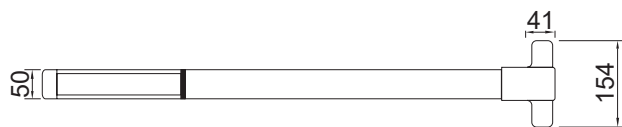
Cylinder Pull
Stainless Steel #304



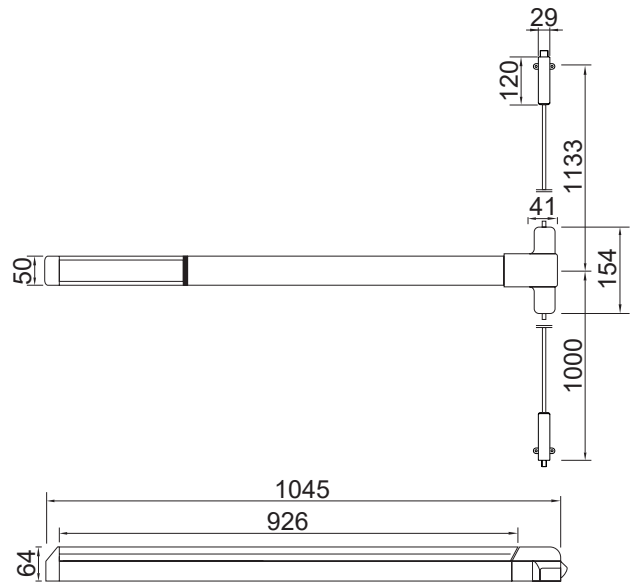
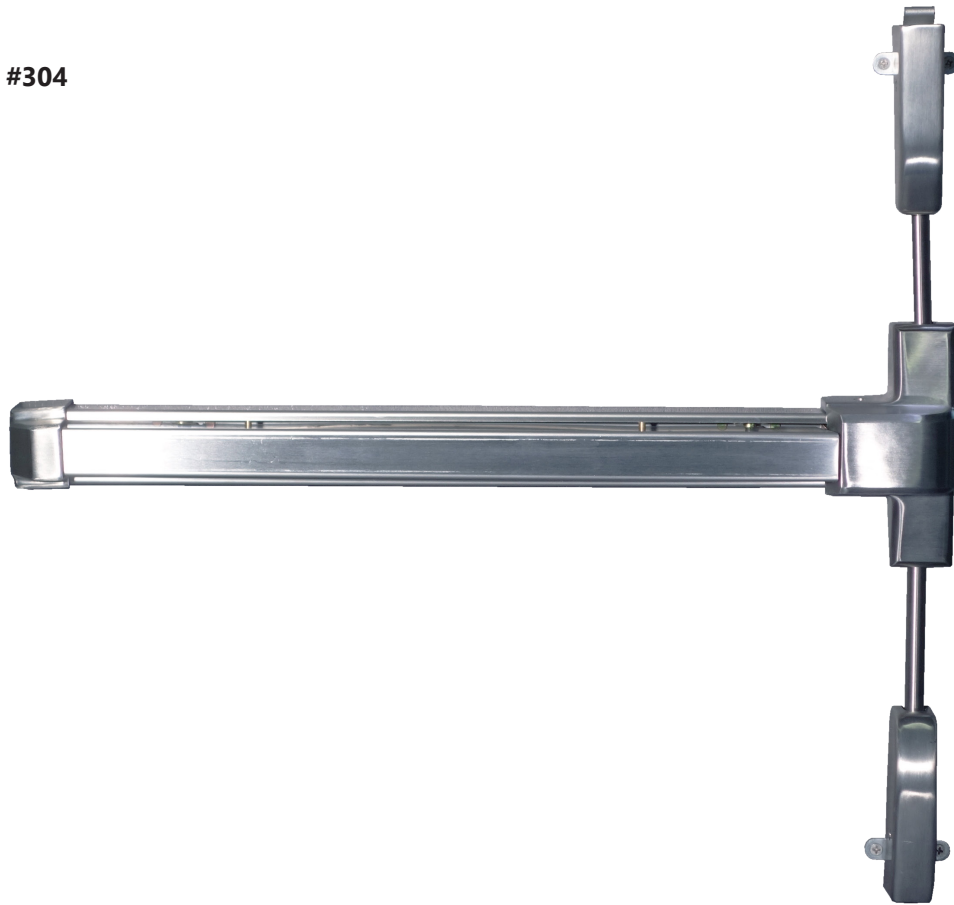
158

Feature and Data:

- Lock Point : 1
- Touch Bar : Full length of device, 926 mm
- Door Style : Single and Double door
- Max. Door Weight : 200 kg
- Dogging Device : Optional
- Security Anti-thrust latch : Standard
- Material : Stainless Steel or Steel Powder Coating
- Door Width : 650-1389 mm
- Door Height : 2133 mm
- Door Thickness : 50 mm
- Non-handed : Yes



RPB-307
Cylinder Pull
Stainless Steel #304



Feature and Data:

- Lock Point : 2
- Touch Bar : Full length of device, 926 mm
- Door Style : Single and Double door
- Max. Door Weight : 200 kg
- Dogging Device : Optional
- Security Anti-thrust latch : N/A
- Material : Stainless Steel or Steel Powder Coating
- Door Width : 650-1389 mm
- Door Height : 2133 mm
- Door Thickness : 50 mm
- Non-handed : Yes

RPB-501

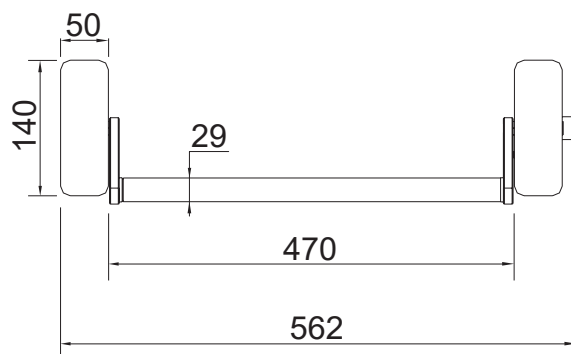
Cylinder Pull
Stainless Steel #304



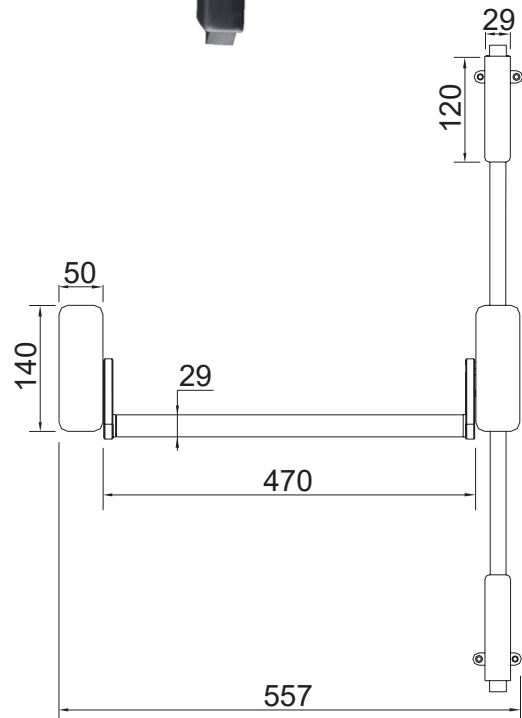
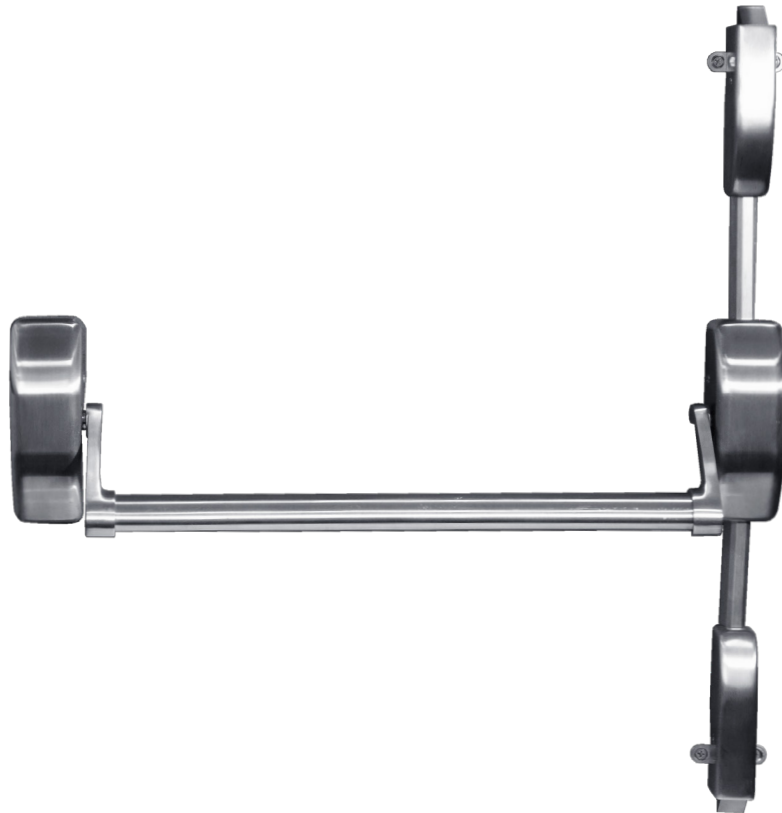
160

Feature and Data:

- Lock Point : 1
- Pull Bar : 1000 mm length
- Door Style : Single and Double door
- Max. Door Weight : 200 kg
- Dogging Device : Optional
- Security Anti-thrust latch : N/A
- Material : Stainless Steel or Steel Powder Coating
- Door Width : up to 1500 mm
- Door Height : 2133 mm
- Door Thickness : 50 mm
- Non-handed : Yes



RPB-506
Cylinder Pull
Stainless Steel #304



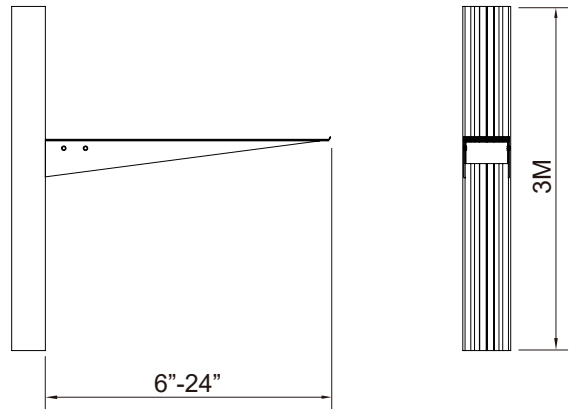
Feature and Data:

- Lock Point : 2
- Pull Bar : 1000 mm length
- Door Style : Single and Double door
- Max. Door Weight : 200 kg
- Dogging Device : Optional
- Security Anti-thrust latch : N/A
- Material : Stainless Steel or Steel Powder Coating
- Door Width : up to 1500 mm
- Door Height : 2133 mm
- Door Thickness : 50 mm
- Non-handed : Yes



Heavy Duty Shelf Support

RSS-8000 Aluminum



164

Technical Data:

- Size : 6 / 8 / 10 / 12 / 16 / 18 / 20 / 22 / 24 inches
- Loading : 100 kg

Features:

- Application : For goods and other storage applications
- Made of high-quality aluminum
- Provide a solid support for the goods
- Easy to install and reusable

Finishing:

- Surface is process the anodizing aluminium

