

任意停撐

Kinvaro T-105

Uplifting design plus powerful opening support.



Application range

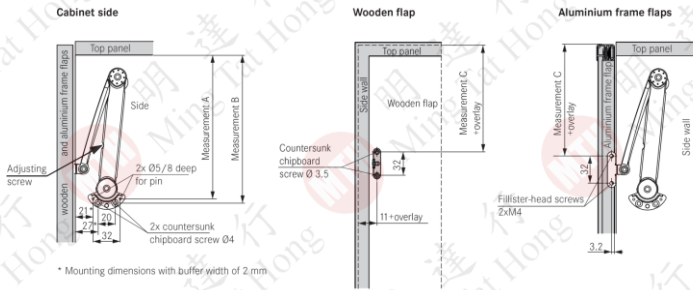
Flap weight from 0,9 up to 10,4 kg

Flap size: width up to 1200 mm, height 300 - 500 mm



櫃門高度(mm)	T-105數量	負重(kg)
300	1	1.6-4.3
	2	3.2-8.6
350	1	1.3-4.1
	2	2.6-8.1
400	1	1.3-3.4
	2	2.5-6.8
450	1	1.2-6.1
	2	2.4-6.1
500	1	1.1-2.9
	2	2.2-5.8

Mounting with wooden and aluminium frame flaps



Grass 110°直較+02底板

Model No.	Item Description
MI2004A MI2004X	T105,L/ PU40
MI2004B MI2004X	T105,R/ PU40

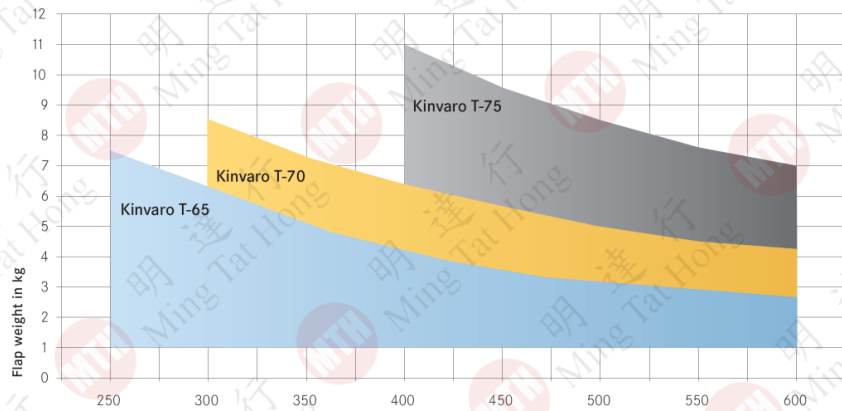
開門角度	(A) 距離(mm)	(B) 距離(mm)	(C) 距離(mm)
95°	169	174	118
100°	167	172	116
105°	164	169	113

升門撐

Kinvaro T-70
Flap fitting.



Application diagram for Kinvaro T-65, Kinvaro T-70, Kinvaro T-75

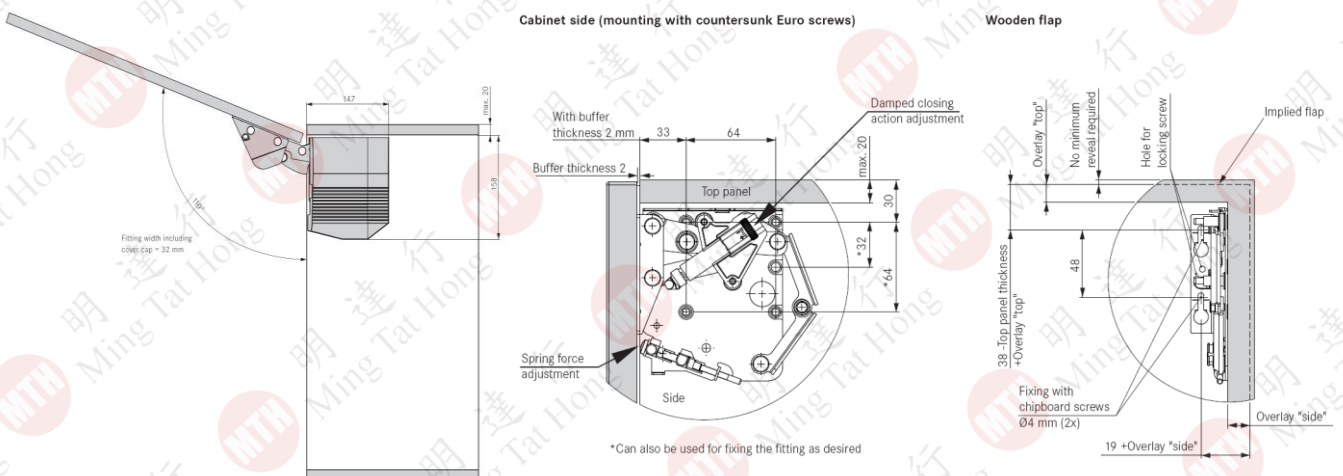


Model No.	Item Description
MI2003	T70/ PU1

櫃門高度(mm)	櫃門闊度(mm)	負重(kg)
300	1200	3.1-7.4
350	1200	1.8-6.3
400	1200	1.7-5.4
450	1200	1.6-4.7
500	1200	1.5-4.0
550	1200	1.4-3.7
600	1200m	1.4-3.3

Installation measurements Kinvaro T-70

Mounting positions for wooden flaps



升門撐

Kinvaro S-35

The elegant spring pack for lift-up flaps.



Kinvaro S-35 application range for fronts with bar handles

Flap height	Flap weight incl. handle° in kg			
	Fitting Type 1	Fitting Type 2	Fitting Type 3	Fitting Type 4
420 - 449	1.5 - 7.5	5.0 - 11.0 ⁽¹⁾	-	-
450 - 479	1.8 - 7.5	5.0 - 12.0 ⁽¹⁾	-	-
480 - 509	1.8 - 6.5	5.0 - 12.5 ⁽¹⁾	-	-
510 - 539	2.0 - 6.0	5.0 - 13.0 ⁽¹⁾	-	-
540 - 569	2.0 - 6.0	5.0 - 12.5	6.0 - 14.0 ⁽¹⁾	-
570 - 599	2.0 - 6.0	5.0 - 11.0	5.5 - 12.0	11.5 - 14.5 ⁽¹⁾
600 - 629	2.0 - 5.5	4.5 - 10.0	5.5 - 11.5	10.5 - 15.5 ⁽¹⁾
630 - 659	2.0 - 5.5	-	4.5 - 11.0	8.5 - 16.0*
660 - 689	2.0 - 5.0	-	4.0 - 10.0	7.5 - 15.0
690 - 719	2.0 - 5.0	-	4.0 - 8.5	6.5 - 13.5
720 - 750	-	-	4.0 - 8.0	6.5 - 12.5



Model No.	Item Description
MI2001	S-35 Lift-Up Type2
MI2002	S-35 Lift-Up Type4

Calculation of flap weight (all measurements in dm)

Flap width x flap height x flap thickness x density⁽²⁾ + handle weight⁽³⁾ = flap weight

Example: 6 dm x 4 dm x 0.19 dm x 0.85 + 0.9 kg/dm³ = 4.8 kg

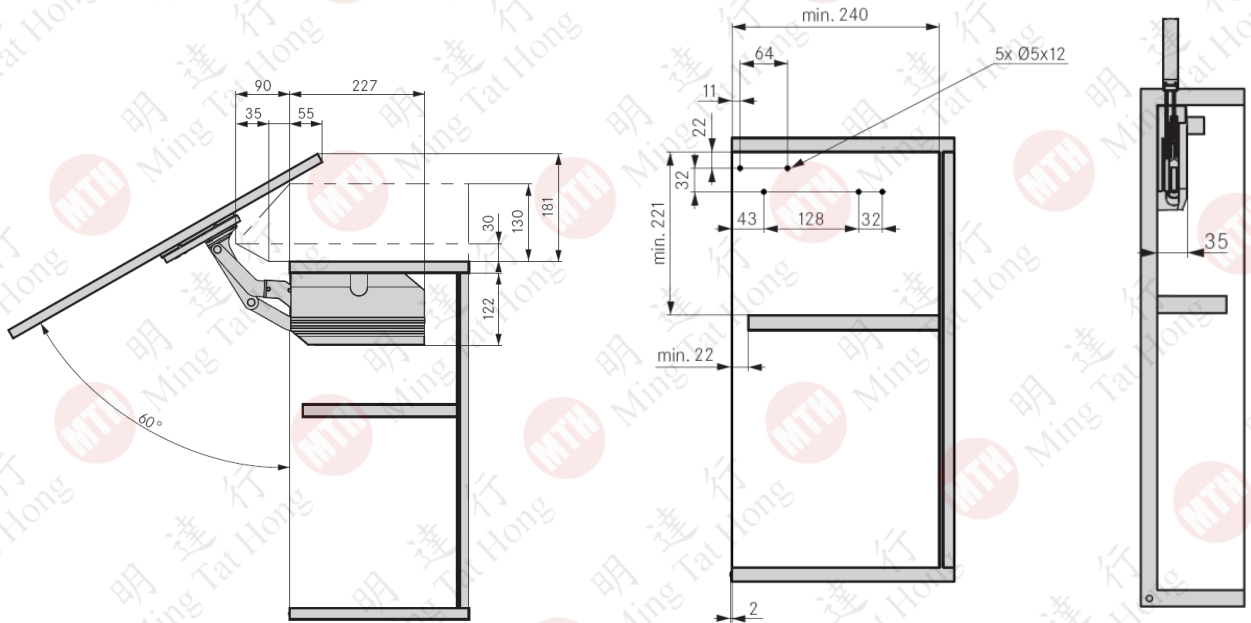
Calculation of Flap width (all measurements in dm)

$$\frac{\text{Flap weight} - \text{handle weight}^{(3)}}{\text{Flap height} \times \text{flap thickness} \times \text{density}^{(2)}} = \text{flap width}$$

Example: $\frac{4.8 - 0.9}{4 \times 0.19 \times 0.85} = 6.0 \text{ dm (600 mm)}$

Kinvaro S-35

Left-hand cabinet side. (Right-hand cabinet side mirror-inverted)



Mounting for wooden and frame flaps (min. 45 mm width)

Flap inside

