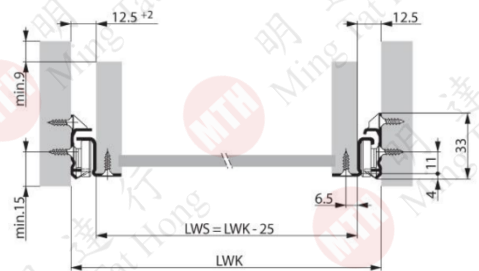
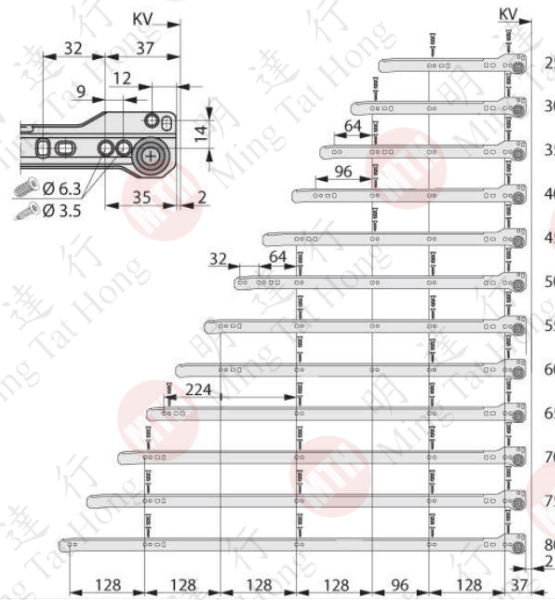


G1700 底路

Roller slides

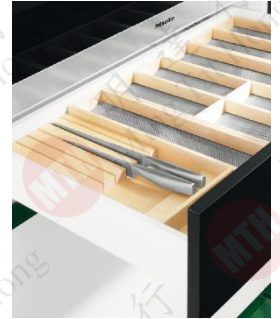
Single-extension slide, 30kg.



Code No.	Size	Load(kg)
SL8710	250mm(10")	30
SL8712	300mm(12")	30
SL8714	350mm(14")	30
SL8716	400mm(16")	30
SL8718	450mm(18")	30
SL8720	500mm(20")	30
SL8722	550mm(22")	30
SL8724	600mm(24")	30
SL8728	700mm(28")	30

緩衝暗藏木櫃路

Dynapro
Soft-close

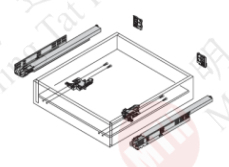
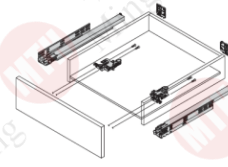
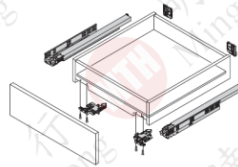


4-sided drawer

3-sided drawer

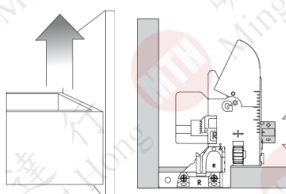
Inset drawer

- > 三段式, 全展路軌
- > 暗藏路軌, 緩衝靜音
- > 路軌500mm, 載重量40KG

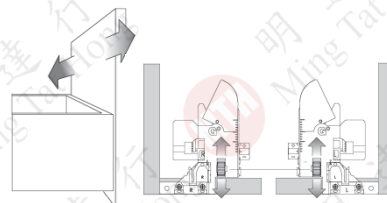


- Full extension slide, synchronized, 40kg load rating(for NL500)
- Soft-close damping system
- Self-close automatic closing device on request
- Continuous self locking of drawer when pushed onto slide
- Integrated height adjustment +3.5mm without tools
- Adjustment adapter for side adjustment $\pm 1.5\text{mm}$ and tilt adjustment +4.0mm without tools

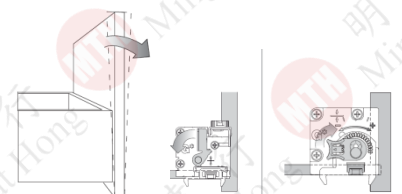
Code No.	Item Description	Packing(sets)
SN8030	Dynapro 300mm	20
SN8035	Dynapro 350mm	20
SN8040	Dynapro 400mm	20
SN8045	Dynapro 450mm	15
SN8050	Dynapro 500mm	15
SN8055	Dynapro 550mm	15
SN8060	Dynapro 600mm	12



Height adjustment (max.+3.5 mm)



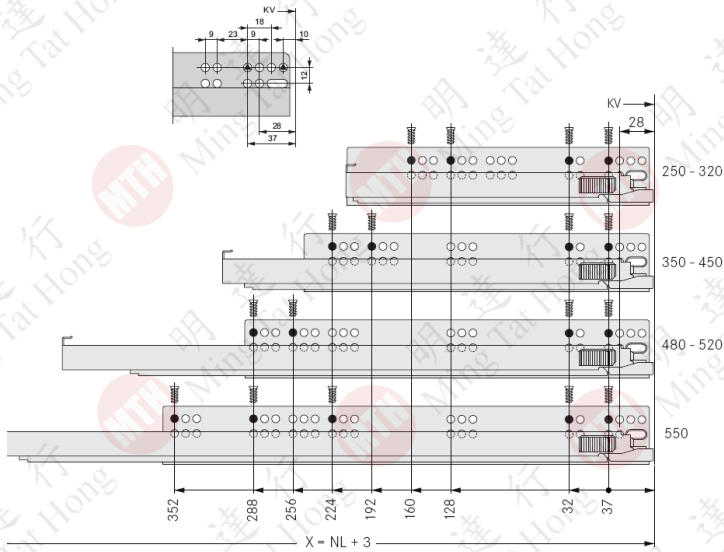
Side adjustment (max. $\pm 3.5\text{mm}$)



Tilt adjustment (max.+4.0mm)

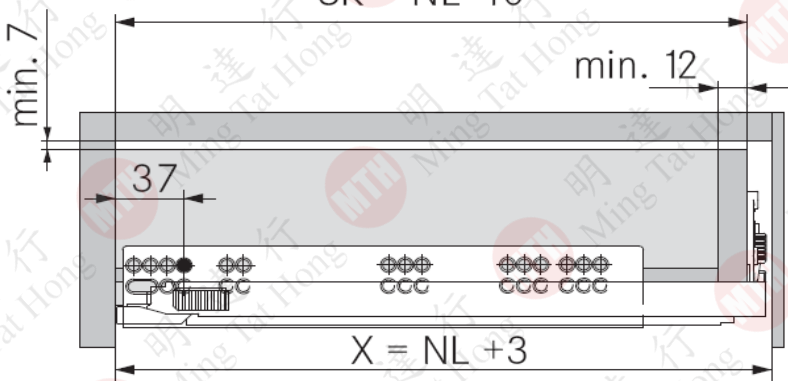
路軌安裝

Technical information
For Dynapro.



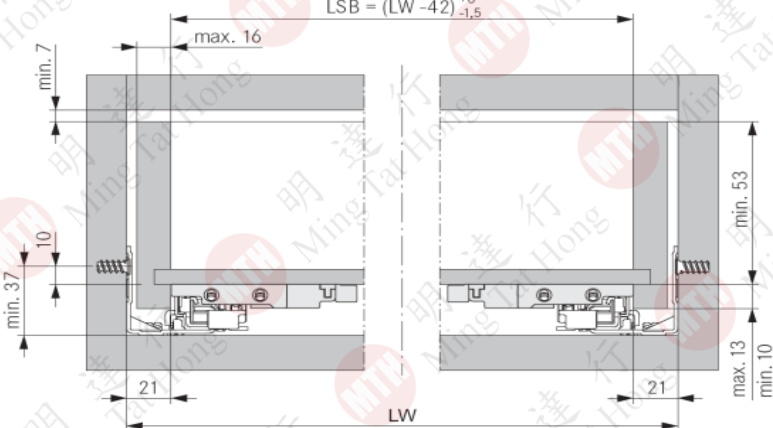
木櫃桶長度

$SK = NL - 10$

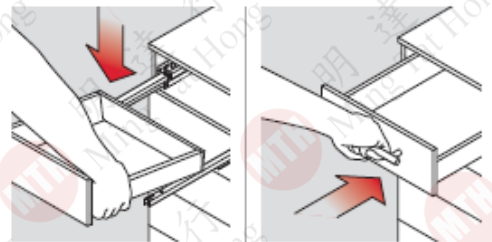


木櫃桶闊度

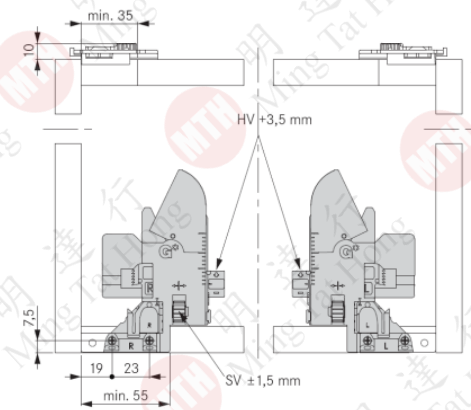
$LSB = (LW - 42) \begin{smallmatrix} +0 \\ -1,5 \end{smallmatrix}$



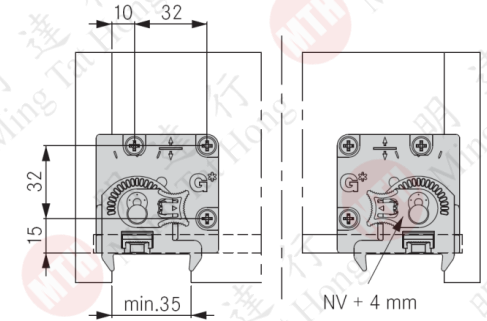
Engaging the drawer



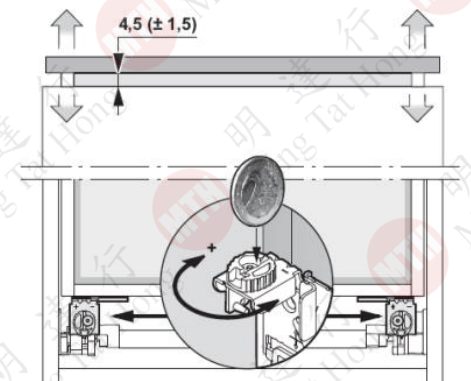
前扣碼安裝



後扣碼安裝



Front gap adjustment Dynapro Tipmatic Plus



緩衝雙側板路

Nova Pro Full extension



> 40KG,三節全展緩衝櫃桶路軌

Code No.	Item Description	Size(mm)
SN63664 SN65003 SN61675	P904-300mm Drawer P920-300mm Drawer 7600 Nova Set(m)	300
SN63665 SN65006 SN61675	P904-350mm Drawer P920-350mm Deluxe 7600 Nova Set(m)	350
SN63666 SN65009 SN61675	P904-400mm Drawer P920-400mm Deluxe 7600 Nova Set(m)	400
SN63667 SN65012 SN61675	P904-450mm Drawer P920-450mm Deluxe 7600 Nova Set(m)	450
SN63668 SN65015 SN61675	P904-500mm Drawer P920-500mm Deluxe 7600 Nova Set(m)	500
SN63669 SN65018 SN61675	P904-550mm Drawer P920-550mm Deluxe 7600 Nova Set(m)	550

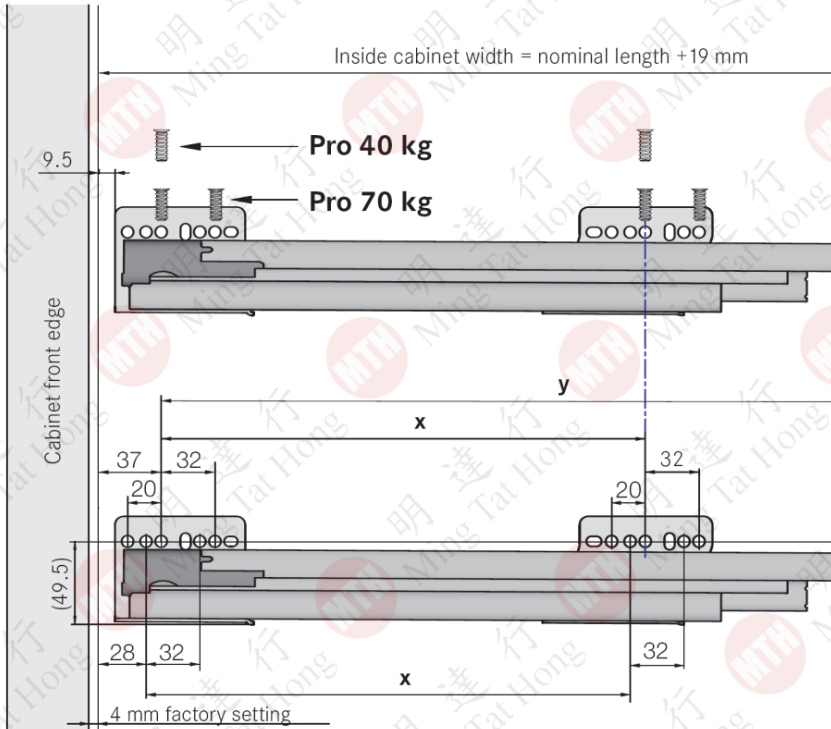


路軌安裝

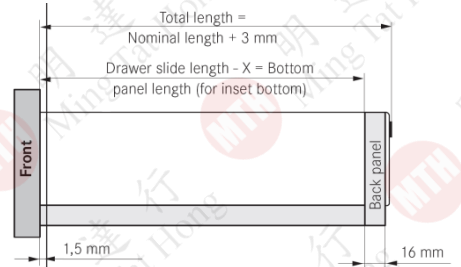
Nova Pro Full extension

安裝圖

Screw fixing positions with Tipmatic Plus for Nova Pro, 40 kg and 70 kg



櫃桶底板長度

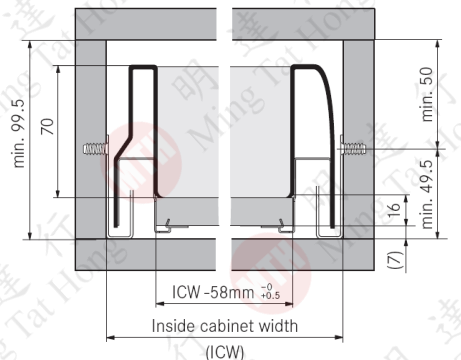


櫃桶底板闊度

Height 90 mm

Classic / Deluxe

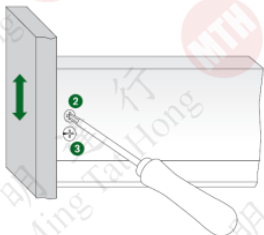
ICW-58mm



Slide length

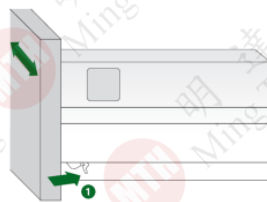
	270	300	350	400	450	500	550
X	160 mm	224 mm	224 mm	224 mm	288 mm	288 mm	288
Y	243 mm	273 mm	323 mm	373 mm	423 mm	473 mm	523

Height adjustment with eccentric screw



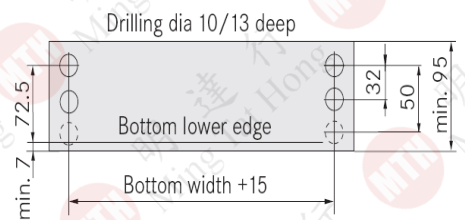
Height adjustment: Loosen screw ② slightly and position front at the required height by means of eccentric screw ③. Adjustment ± 2 mm. Tighten screw ②.

Side adjustment

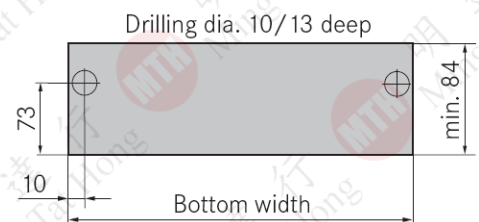


Side adjustment: Push clamping lever on both sides ① to the back slightly, slightly raise front and slide over ribs, adjustment ±1.5 mm. Release clamping lever.

櫃桶前扣碼安裝



櫃桶背板安裝

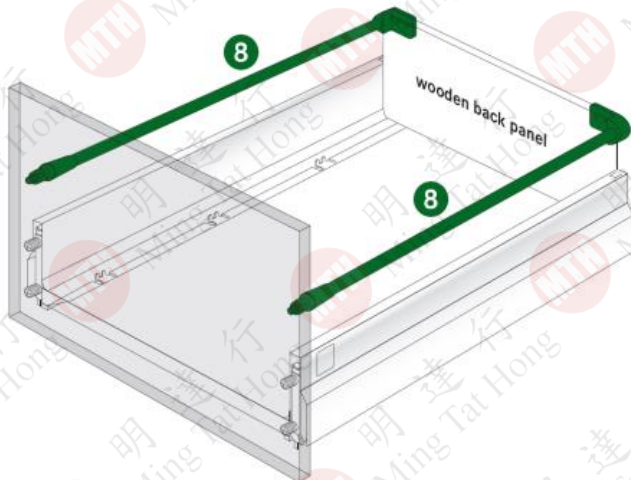


櫃桶加高直桿

Nova Pro Accessories

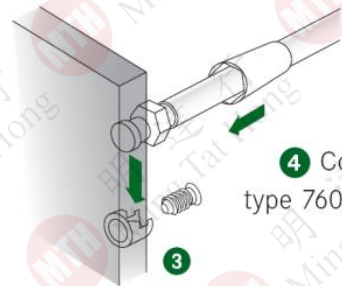
Set consisting of:

- 2 side railings with cover sleeve
- 2 front railing clips to screw in
- 2 back railing clips to screw in



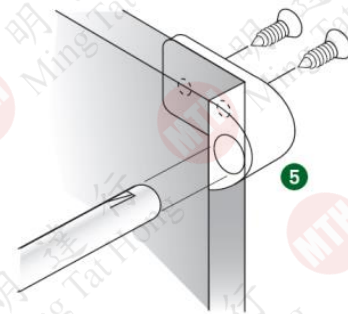
Railing fastening screw-on

- 3 Front railing clip, type 7600/Rel-ET, screw-on version with chipboard- or special Euro screws



- 4 Cover caps type 7600/Abdeck

- 5 Back railing clip, type 7107, screw-on, using chipboard dia. 3.5 x 15 mm



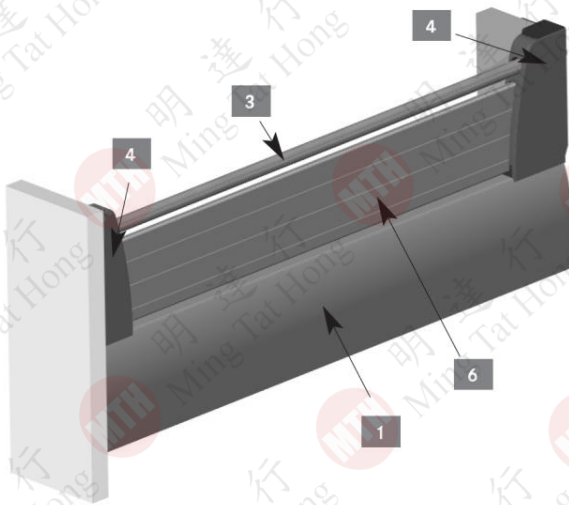
Railing dividers

- 7 Divider railing clip for divider railing, type 7102

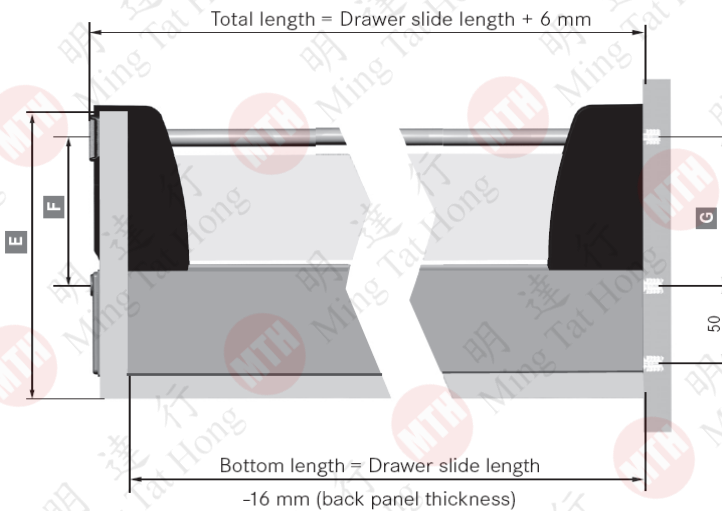
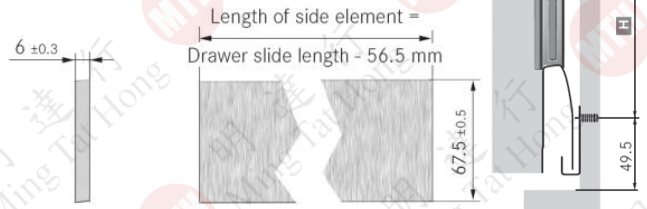
Code No.	Item Description
SN45969	7107S-300mm
SN45970	7107S-350mm
SN45971	7107S-400mm
SN45972	7107S-450mm
SN45973	7107S-500mm
SN45974	7107S-550mm

櫃桶加高鋁質圍板連直桿

Nova Pro Accessories



The side element can also be manufactured in glass or wood!



Wooden back panel

E P920 / H90*

Dimension E 185 mm

G P920 / H90*

Dimension G 96 mm

F P920 / H90*

Dimension F 96 mm

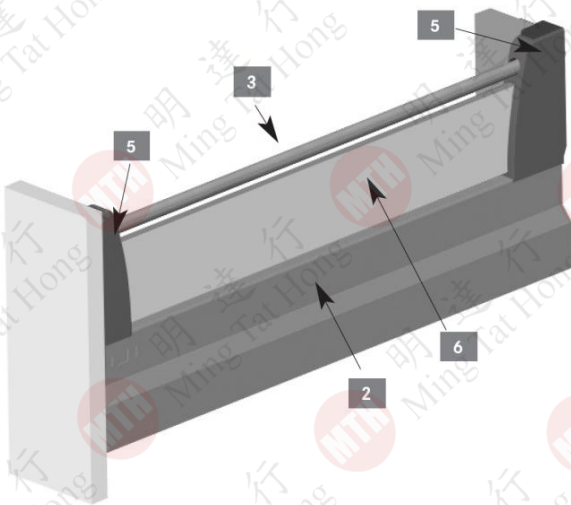
H P920 / H90*

Dimension H 153.5 mm

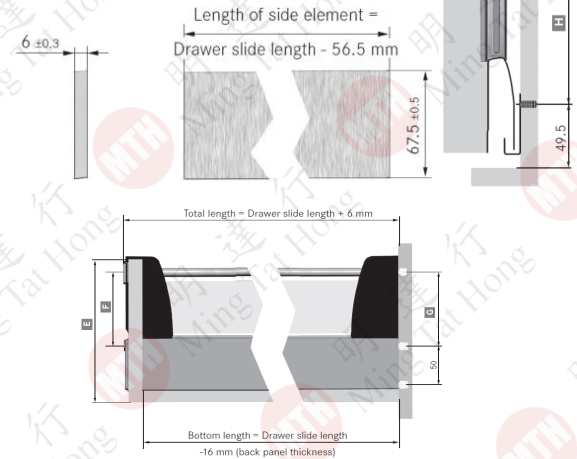
Code No.	Item Description
SN65411=(4)	P600 Spirit 加高圍板配件(灰膠)
SN65399=(6)	450mm 鋁質質 加高平面圍板
SN45972=(3)	7107/S - 450mm 直桿組
SN65411=(4)	P600 Spirit加高圍板配件(灰膠)
SN65400=(6)	500mm 鋁質 加高平面圍板
SN45973=(3)	7107/S - 500mm 直桿組

櫃桶加高直桿連磨砂玻璃圍板

Nova Pro Accessories



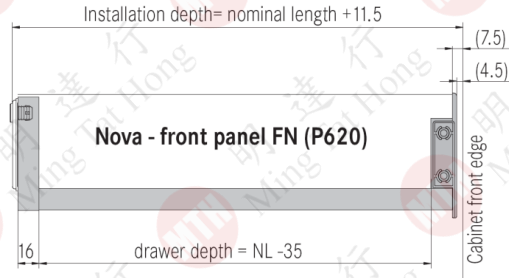
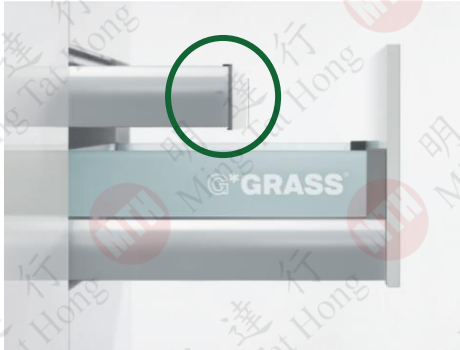
The side element can also be manufactured in glass or wood!



Code No.	Item Description
SN65411=(5) SN65399J=(6) SN45969=(3)	P600 Spirit 加高圍板配件(灰膠) P600 300mm 加高圍板(玻璃) 7101/S - 300mm 直桿組
SN65411=(5) SN65399K=(6) SN45970=(3)	P600 Spirit 加高圍板配件(灰膠) P600 350mm 加高圍板 (玻璃) 7101/S - 350mm 直桿組
SN65411=(5) SN65399H=(6) SN45971=(3)	P600 Spirit 加高圍板配件(灰膠) P600 400mm 加高圍板 (玻璃) 7101/S - 400mm 直桿組
SN65411=(5) SN65399G=(6) SN45972 =(3)	P600 Spirit 加高圍板配件(灰膠) P600 450mm 加高圍板 (玻璃) 7101/S - 450mm直桿組
N65411 =(5) SN65400G=(6) SN45973 =(3)	P600 Spirit 加高圍板配件(灰膠) P600 500mm 加高圍板 (玻璃) 7101/S - 500mm 直桿組
SN65411 =(5) SN65401G=(6) SN45974 =(3)	P600 Spirit 加高圍板配件(灰膠) P600 550mm 加高圍板 (玻璃) 7101/S - 550mm 直桿組

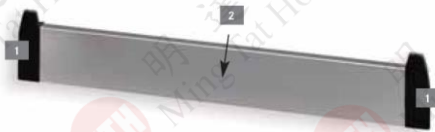
內置櫃桶頭板

Nova Pro Accessories

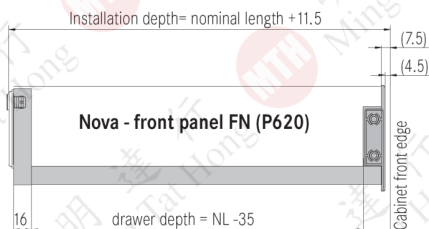


Code No.	Item Description
SN 66500=(1) SN 51140=(2)	500mm(櫃外計) 內置櫃桶頭面板
SN 66500=(1) SN 51142=(2)	600mm(櫃外計) 內置櫃桶頭面板
SN 66500=(1) SN 51145=(2)	900mm(櫃外計) 內置櫃桶頭面板
SN 66500=(1) SN 51147=(2)	1200mm(櫃外計) 內置櫃桶頭面板

Inset drawer



加高內置櫃桶頭板

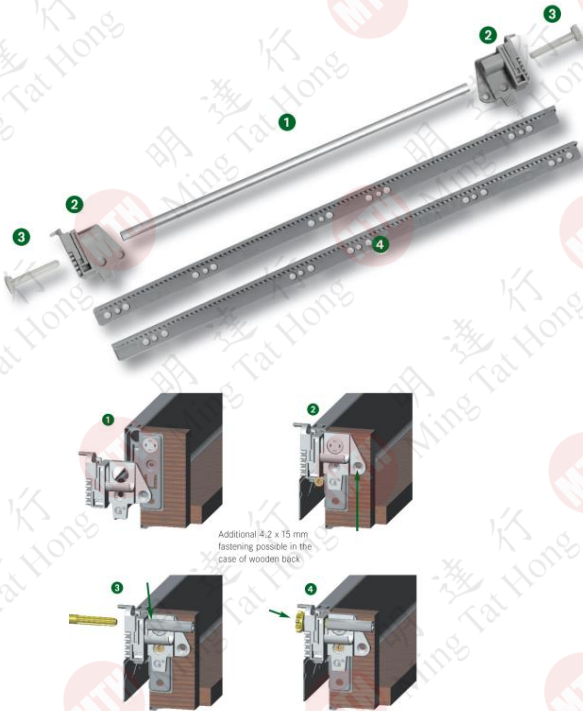


Code No.	Item Description
SN66502=(3) SN51092=(4)	500mm (櫃外計) 加高內置櫃桶頭面板 直桿組(另外購買)
SN66502=(3) SN51094=(4)	600mm (櫃外計) 加高內置櫃桶頭面板 直桿組(另外購買)
SN66502=(3) SN51097=(4)	900mm (櫃外計) 加高內置櫃桶頭面板 直桿組(另外購買)
SN66502=(3) SN51099=(4)	1200mm (櫃外計) 加高內置櫃桶頭面板 直桿組(另外購買)



闊櫃桶穩定器

Grass-Nova Pro Accessories

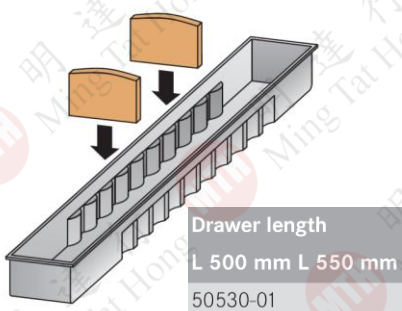


- Drawer width 900-1500mm
- Slide length 450-600mm
- Cabinet sides 15-19mm
- Torsion bar length= outer cabinet width 100mm
- When fitting to a wooden back panel: dia. 4.2x 20 chipboard screw
- When fitting to a steel back panel: dia. 4.8x13 sheet metal screw

Code No.	Item Description
SN66388	平行穩定器 1200mm
SN50865	穩定器滑行路軌 500mm



Code No.	Item Description
SN39287	瓶罐間格碼
SL1804	橫桿“T”碼
SL1805	橫桿 300mm
SL1806	橫桿 350mm



Code No.	Item Description
SN50530	刀叉間格 500mmx100mm

G5300 三節底路

Roller slides

Full-extension slide, 50kg.

訂貨

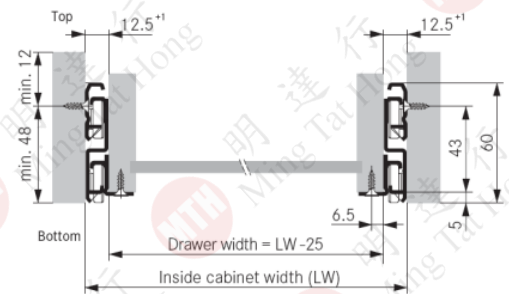
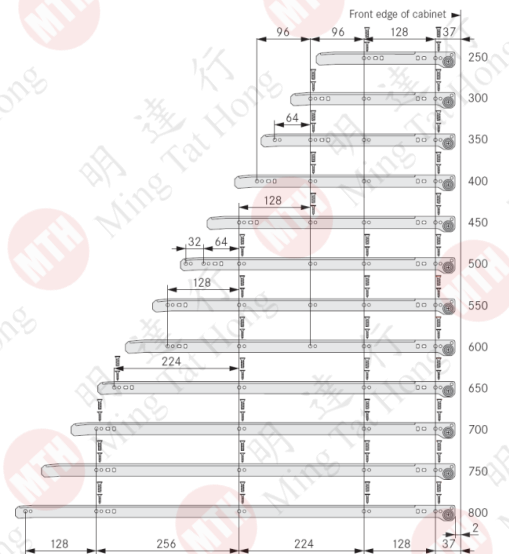
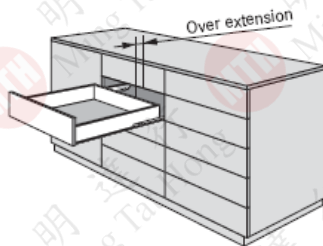


Over-extension

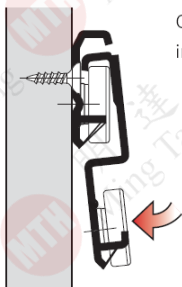
Your essential benefit: more access

When fitted the drawer can be over-extended by 30 mm.

This avoids interference with the drawer front above when opened to full access.

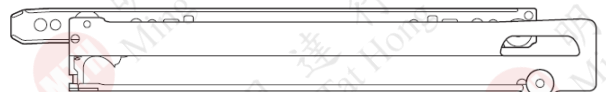


Insertion of centre rail



Centre rails to be inclined for insertion into cabinet slides at rear position.

Correct position



Wrong position



Insertion, securing, and removal of drawer

